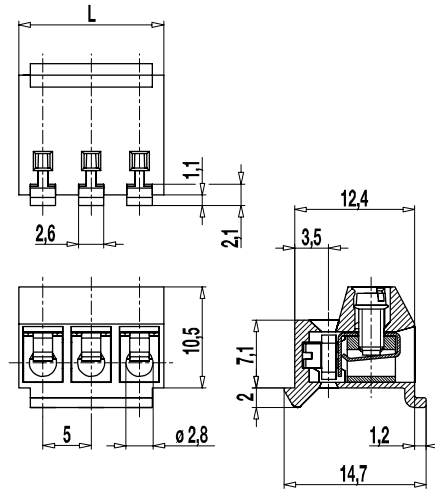


# 950-NLFL-DS

Plug connector  
Screw connection, with locking foot



## GENERAL INFORMATION

Pitch	5 mm
No. of poles	2 - 12
Usable with	pin strips of series 971

## TECHNICAL DATA

Clamping Range	solid / stranded / AWG 0,34 - 2,5 mm <sup>2</sup> / 0,34 - 1,5 mm <sup>2</sup> / 22 - 14 AWG		
Rated Cross Section	1,5 mm <sup>2</sup>		
Wire Stripping Length	6 mm ± 0,5 mm		
Overvoltage Category	III	III	II
Pollution Severity Level	3	2	2
Rated Voltage	320 V	320 V	630 V
Rated Impulse Voltage	4 kV	4 kV	4 kV
Rated Insulation Voltage	250 V acc. to EN 60998-1		
Rated Current	6 A		
Torque	0,4 Nm		
Other specifications	By use with pins LST-1,3: III-3-160V-2,5 kV		

## APPROVALS

	Current [A]	Voltage [V]	Group	AWG	[Nm]
	10	300	B	26 - 14	0,4
	10	300	B	26 - 14	0,4

## MATERIAL

Moulding	PA, black, V-0
Comparative Tracking Index	CTI ≥ 600
Insulating Group	I
Temperature Range	-40°C up to 100°C
Terminal body	Nickel plated brass
Screw	M2,6; zinc plated steel, blue passivated
Wire protector	Tin plated tin bronze
Spring	Tin plated tin bronze

## OPTIONS / ACCESSORIES

- Consecutive numbering
- Special marking according to drawing
- Self-adhesive marking strip BST-5,00
- Pitch of 10 mm for larger clearance and creepage distances

## CONFIGURATIONS

Poles	Part number	Article number	Length (L)	Packaging	PU
2	950-NLFL-DS/02	20.871.772	10,00 mm	Box	250
3	950-NLFL-DS/03	20.871.773	15,00 mm	Box	250
4	950-NLFL-DS/04	20.871.774	20,00 mm	Box	100
5	950-NLFL-DS/05	20.871.775	25,00 mm	Box	100
6	950-NLFL-DS/06	20.871.776	30,00 mm	Box	100

